

KCA-1801 Set

15 Inch Top Mount Workstation Single Bowl Stainless Steel
Outdoor Rated Kitchen Sink, Drain Assembly,
Stainless Steel Outdoor Sink Lid, Decorative Drain Cap

Kräus[®]

SPECIFICATION SHEET

Sink Dimensions

Overall Dimensions: 15" x 22"

Bowl Dimensions: 13" x 16"

Sink Depth: 9"

Sink Features

- 16 Gauge Marine Grade T-316 Stainless Steel Construction
- Single Bowl Top Mount Sink
- Required Minimum Cabinet Size: 18" Left to Right, 24" Front to Back
- Rear Center-Set Drain
- 3 1/2" Drain Opening
- NoiseDefend Undercoating and Sound
- Dampening Pads

CODES/STANDARDS:

Product Certification

cUPC (ASME A112.19.3/CSA B45.4)

Accessories Included

- Strainer ST-1
- Cover Cap STC-2
- Top Mount Cut-Out Template
- Top Mount Hardware

Lid Dimensions

Overall Dimensions: 16 7/8" x 12 7/8" x 3 1/8"

Lid Features

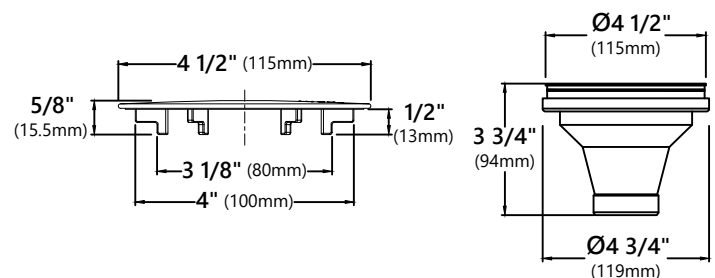
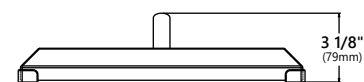
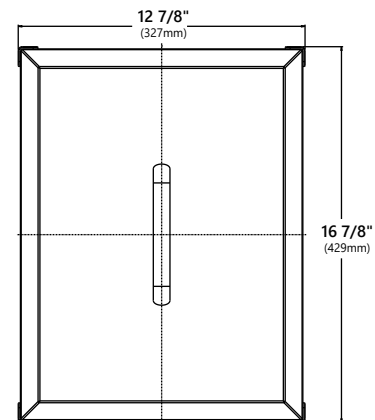
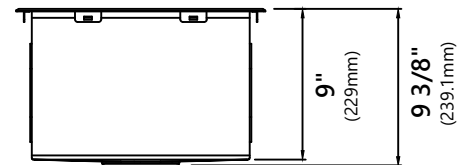
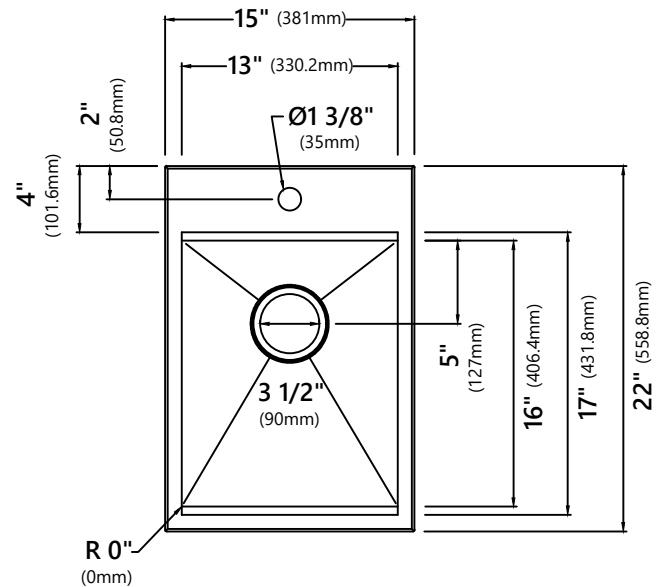
- 16 Gauge Marine Grade T-316 Stainless Steel Construction
- Single Bowl Top Mount Sink Lid (Compatible with KCA-1801)
- Integrated Silicone Handle and Corners

NOTE: Maximum countertop thickness for Top Mount installation is 1 1/2".

NOTE: It is not recommended to install this sink with a negative reveal. Doing so will prohibit the use of any workstation accessories as they will not fit.

Warranty

Kraus One Year Limited Warranty
see website for details www.kraususa.com



Kraus USA Plumbing LLC Customer Service
1.800.775.0703 | customerservice@kraususa.com

REV. Feb 25, 2026