

CANTILEVER 1036 BISTRO KIT CONTAINS:

(A) 2X



01TUBE1-1-36 1" DIAM. TUBE, 36" LONG

(B) 4X



01SKCANTEND-1: END POST FOR 1"DIA TUBE

(C) 2X



01SKCANTCNTR-1: CENTER POST FOR 1"DIA TUBE

(D) 6X



01CANTARM110-1
CANTILEVER ARM FOR 1" DIAM. TUBE, 10" LONG

2X



2 PAIRS OF COTTON GLOVES

10X



EXTRA SET SCREWS

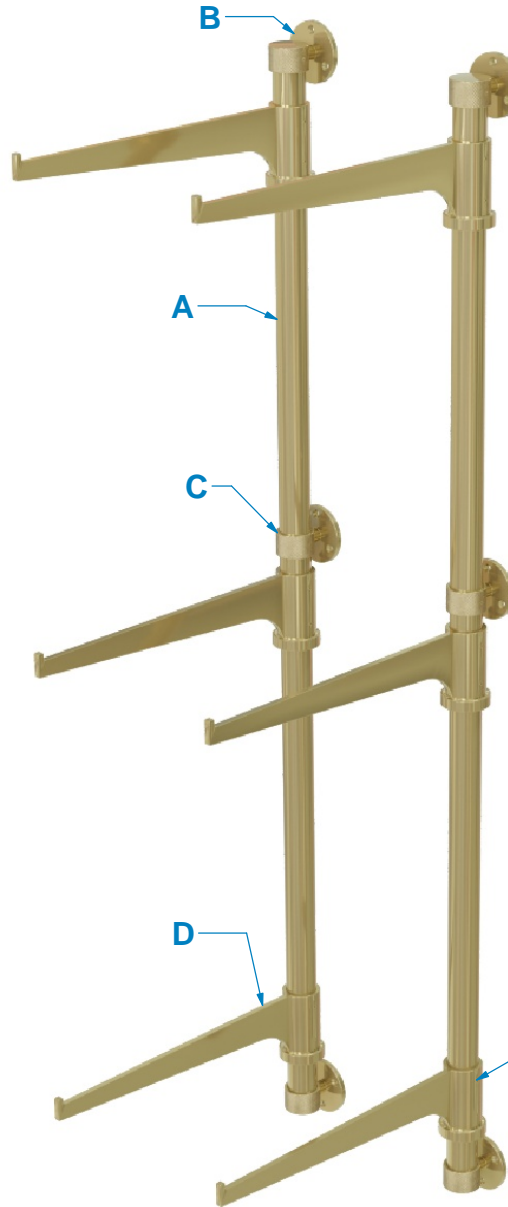
6X



EXTRA INSTALLATION SCREWS

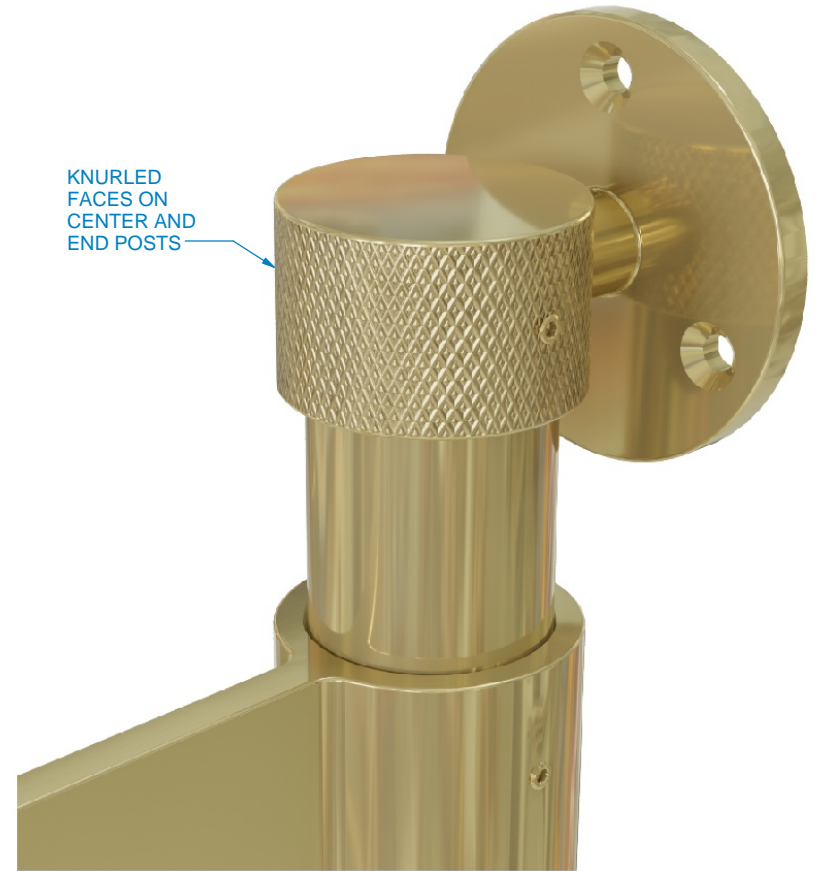


HEX KEYS



ADJUSTABLE
HEIGHT TYP.

KNURLED
FACES ON
CENTER AND
END POSTS



- (PB) POLISHED BRASS FINISH
- (SB) SATIN BRASS FINISH
- OTHER _____

ORDER # _____



REVISION HISTORY			TOLERANCES		MATERIALS AND FINISHES	
REV	REV DATE	DESCRIPTION	WIDTH	± .03125"	PLEASE VISIT OUR WEBSITE FOR A COMPLETE LIST. www.brownwoodinc.com 1-800-328-5858	
			THICKNESS	± .03125"	NOTES: Do not scale. Use dimensions only. All dimensions are in inches unless noted	
			LENGTH	± .0625"		
			ANGULAR	± x.x°		
			PROFILE	± x.xxx"		
			Use General Tolerances Unless Noted			

TITLE: KNURLED CANTILEVER BISTRO SHELF KIT, 3 SHELVES 10" DEEP NOMINAL SIZE	
DWG #: 01KCANT1036-1	REV:
DATE: 12/6/2025	SCALE: 1:8

CANTILEVER 1048 BISTRO KIT CONTAINS:

(A) 2X



01TUBE1-1-48 1" DIAM. TUBE, 48" LONG

(B) 4X



01SKCANTEND-1: END POST FOR 1"DIA TUBE

(C) 2X



01SKCANTCNR-1: CENTER POST FOR 1"DIA TUBE

(D) 8X



01CANTARM110-1
CANTILEVER ARM FOR 1" DIAM. TUBE, 10" LONG

2X



2 PAIRS OF COTTON GLOVES

10X



EXTRA SET SCREWS

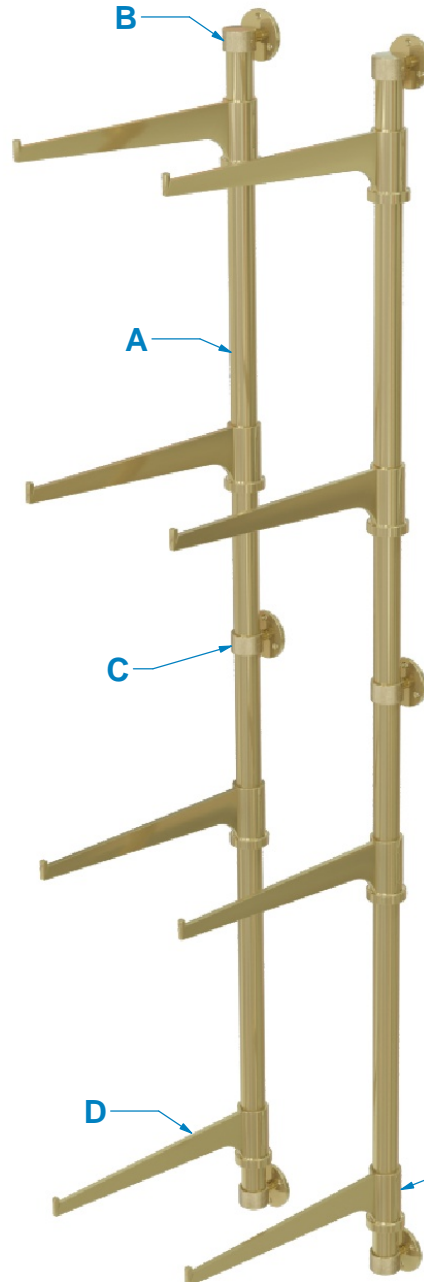
6X



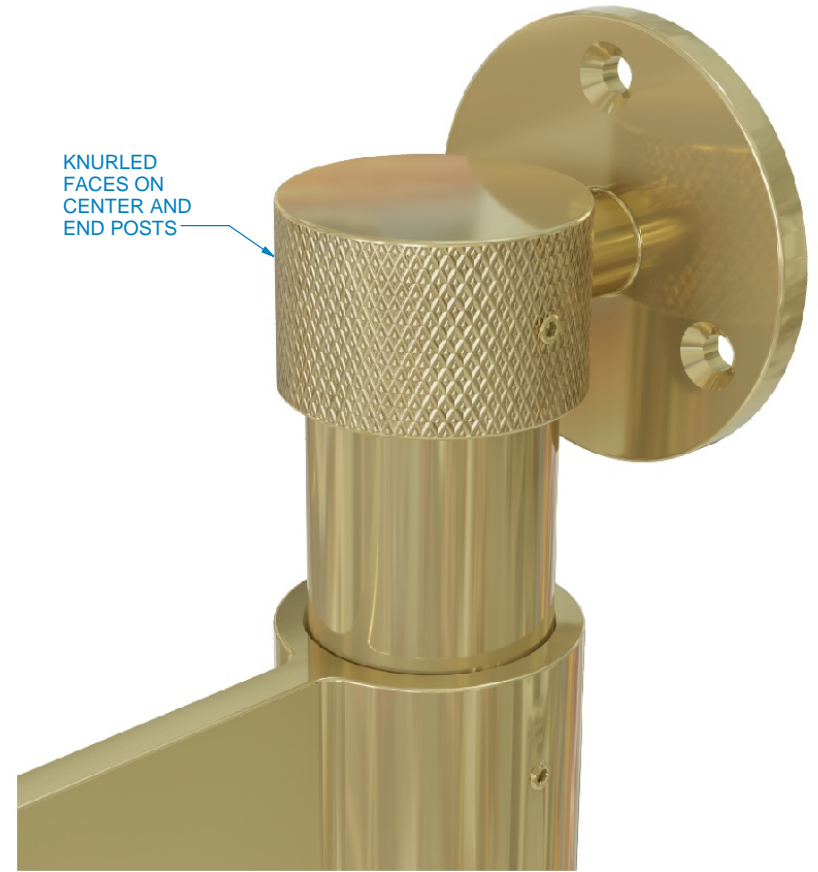
EXTRA INSTALLATION SCREWS



HEX KEYS



ADJUSTABLE
HEIGHT TYP.



KNURLED
FACES ON
CENTER AND
END POSTS

- (PB) POLISHED BRASS FINISH
- (SB) SATIN BRASS FINISH
- OTHER _____

ORDER # _____



REVISION HISTORY		
REV	REV DATE	DESCRIPTION

TOLERANCES	
WIDTH	± .03125"
THICKNESS	± .03125"
LENGTH	± .0625"
ANGULAR	± x.x°
PROFILE	± x.xxx"
Use General Tolerances Unless Noted	

MATERIALS AND FINISHES	
PLEASE VISIT OUR WEBSITE FOR A COMPLETE LIST. www.brownwoodinc.com 1-800-328-5858	
NOTES:	
Do not scale. Use dimensions only. All dimensions are in inches unless noted	

TITLE: KNURLED CANTILEVER BISTRO SHELF KIT, 4 SHELVES 10" DEEP NOMINAL SIZE	
DWG #: 01KCANT1048-1	REV:
DATE: 12/6/2025	SCALE: 1:8