



Brass Rail Kit Safety Information

Assembly and installation of the Brass Rail Kit should only be performed by a licensed professional. Failure to properly and securely assemble bistro components may result in avoidable damage or serious injury. It is recommended all assembly work be done by at least two people for ease and accuracy. Always wear personal protective equipment when performing assembly. **Read through all instructions prior to the assembly and installation process.** Please contact us at 800-328-5858 with any questions.

Properly assembled and installed pot rail is capable of supporting reasonable amounts of vertical load. We recommend capacities of no more than 50 pounds when using all six of the included hooks. Applying more vertical load or using additional/unincluded hooks is not recommended and may result in damage of serious injury.

When assembling and installing, be sure to perform each of the following tasks thoroughly:

- Tighten all fasteners including set screws and wood screws. Avoid stripping or overtightening fasteners as this may compromise fastener integrity.
- Wear the appropriate personal protective equipment (not included) as you perform each task. **NEVER** allow yourself to be caught off guard by potential accidents.
- Read instructions all the way through prior to assembling and installing units. Familiarize yourself with each step and each component prior to actual assembly/installation.
- Assure your work area is clean and free of debris and potential obstacles.
- Clean all components at their points of attachment.

Installation Safety

It is recommended installation be performed by **AT LEAST** two people and **ALWAYS** by a licensed professional. Always wear the appropriate personal protective equipment when performing installation. Always assure uprights and shelving are level prior to placing items on the installed unit.

Installation should only be done utilizing a stud or a backer using installation wood screws of at least 2" in length. Tighten the screws completely without stripping or over-tightening. This may cause the screw integrity to fail and the unit to fall.

Assembly for Brass Rail Kit

Required Tools: Hex key (included), power drill, 1/16" drill bit, leveler, pencil

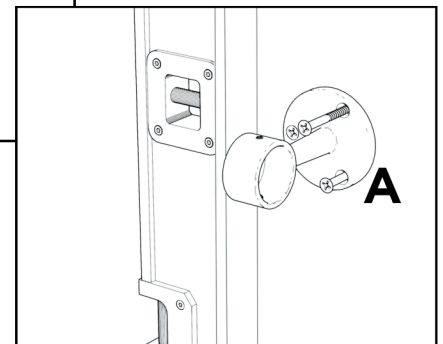
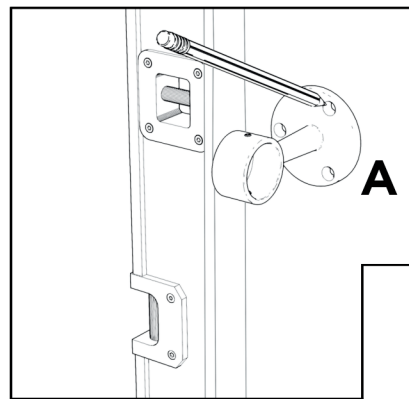
IMPORTANT: Assembly/installation of pot rail should be performed by a licensed professional. Installation should only be done utilizing a stud or solid backer. Failure to properly and securely assemble/install rail components may result in avoidable damage or serious injury. It is recommended all assembly/installation work be done by at least two people for ease and accuracy. Always wear personal protective equipment when performing assembly/installation. Read through all instructions prior to the assembly/installation process. Pot rail should only be installed onto walls. DO NOT install pot rail to ceilings. Please contact us at 800-328-5858 with any questions.

Step #1: Attach the First Post

Equip the included cotton gloves to prevent scratching, leaving fingerprints or damage to the rail components.

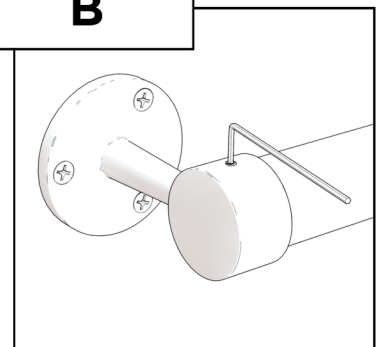
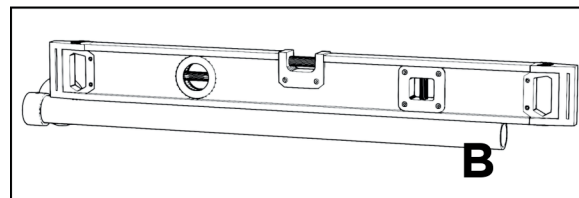
Determine where the left-side post (**part A**) will be installed on the wall. Compensate for the size and depth of the unit when planning (see included drawings for dimensions). Using a level, assure the opening of the post is face plumb. Use a stud finder to find the proper location - keeping everything level while doing so.

Using a pencil, mark the holes of the mounting flange. Drill the marked holes using a 1/16" bit and attach the mounting flange to the wall using the included installation screws.



Step #2: Attach the Tube to the First Post

Insert the horizontal tube (**part B**) into the now-installed left-side post, holding it in place while doing so. Using an included set screw, attach the tube to the left-side post - still holding it in place keep it from falling or bending. Tighten the set screw with the included hex key.



Assembly for Brass Rail Kit

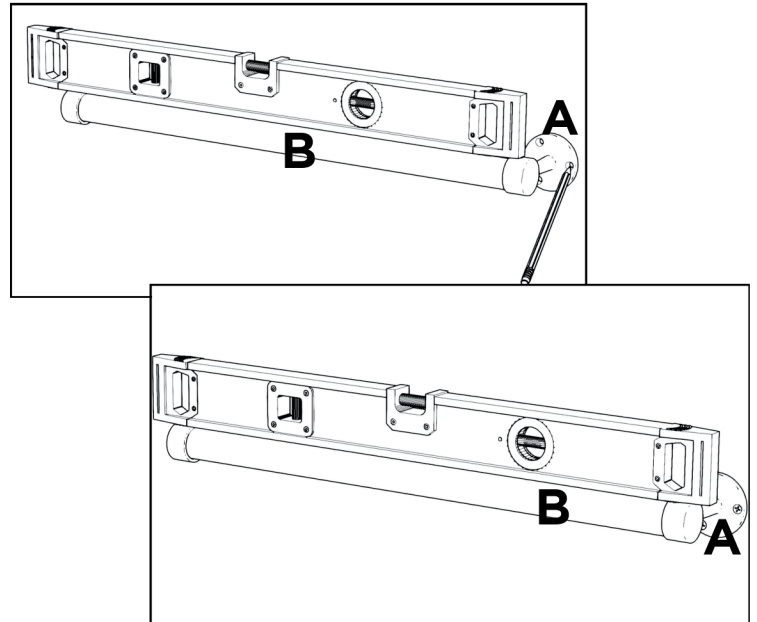
Step #3: Attach the Second Post

Slide the right-side post (**part A**) on the open end of the already-installed rail tube (**part B**). Assure the tube is fully inserted into the post.

It is recommended you utilize a set screw to attach the post to the tube fully to assure accuracy when marking holes.

Using a level, determine where the positioning of the right-side tube should be installed to make the tube level. Using a pencil, mark the locations of the flange holes.

Remove the right-side post from the tube and drill the marked holes using a 1/16" bit. Reattach the right-side post to the tube and installed the post using the included installation screws.

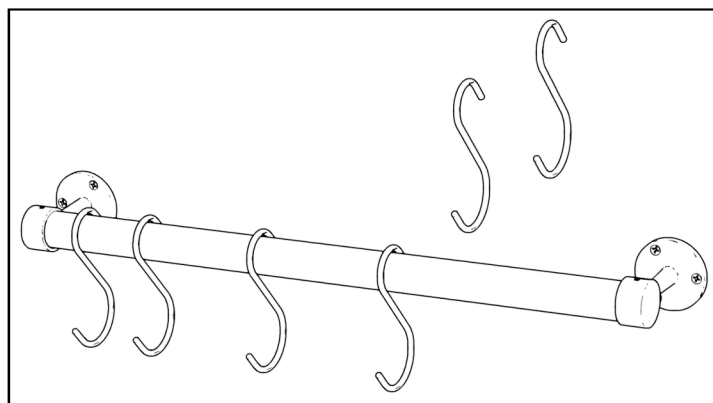
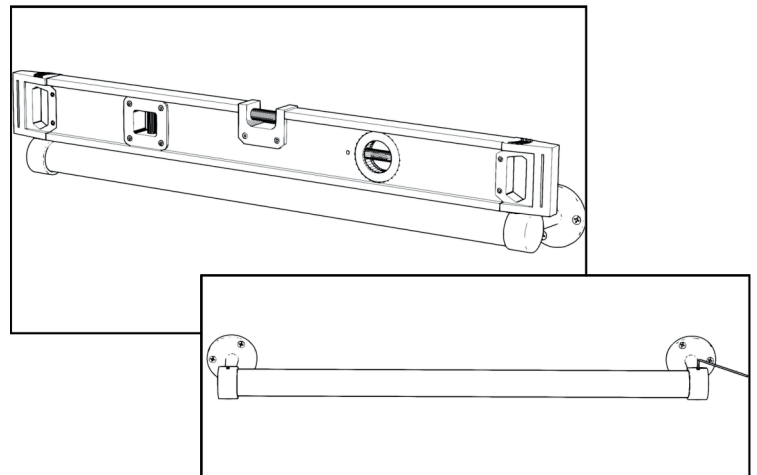


Step #4: Final Level Check and Adding of S Hooks

Do a final check of the rail being level. If it is off level, reinstallation will be required.

If rail is not level, serious injury or avoidable damage may occur.

Add S Hooks by placing one curved side directly on the rail.





Storage and Pre-Installation

Brass Components like our Bistro Shelving and Pot Rail should be kept in a temperate space free of extreme heat, cold, moisture, dust and debris. Never store brass components near a direct heat source, open window ventilation openings or any other source that may impact the area. It is best to leave any brass component within its original packaging up until the time of assembly/installation. Do not store components underneath heavy objects.*

Handling and Treating

All brass components should only be physically held with the use of cotton gloves to prevent scratches and fingerprints. Likewise, all unlacquered brass products should be finished prior to installation to avoid discoloration from touch and oxidation. Lacquered brass products will not discolor over time but should still be handled with care to avoid any damage to the lacquer finish. Always polish brass components with a new cotton cloth prior to any finishing.*

Maintenance

If maintaining lacquered brass (more common), proper cleaning and is essential. Use a damp, cotton cloth (from room temperature water) to wipe the component. Clean in long streaks whilst the cloth is wrapped around the component. You can then wipe the component with a dry, cotton cloth. DO NOT use any chemical cleaners, including - but not limited to - brass-specific polishes (such as Brasso), soap, rust removers, furniture polishes, etc. Use of these products can diminish and even remove the lacquer finish, thus exposing the brass to oxidation. NEVER use any paper towels or synthetic cloths on brass components - this can scratch the surface of the brass/finish.*

If maintaining unlacquered brass (less common), regular cleaning and conditioning is required to avoid any unwanted discoloration. If left untreated, unlacquered brass (due to its raw nature) will oxidize, which will form a "patina" film to form, giving the brass a greenish look. If this isn't desired and a lacquered finish is not applied, regular wiping with a cotton cloth and a cleaner are ideal. The cleaner can be a mild brass cleaning chemical, simple soaps or small amounts of household agents (such as vinegar and water) can be used in careful amounts. Always dry polish the brass once the cleaning is done.*

**Once Bistro Shelving, Pot Rail or any other Brass Components have been stored, sealed, assembled, installed, Brown Wood, Inc. no longer assumes warranty over the product - meaning any discoloration, oxidation, scratches, installation failure, etc. are not covered by our warranty terms. Always assure condition of components as soon as they are delivered.*

You can find warranty terms here: <https://www.brownwoodinc.com/dod/warranty-returns/>