

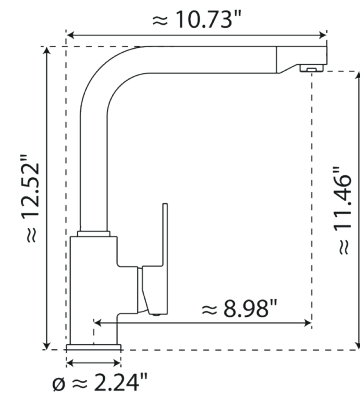


# Felis


## Straight Faucet

### Specifications

Practical cold-start function for energy saving
Adjustable scalding protection
Easy assembly due to central fixing nut
Flexible metal connection hoses approx. 39.37"
Connection type: High pressure
Swivel range: 360°
Flow Rate: 1.75 gpm
Hole count: 1 to 3 (base plate available seperately)



**LEAD FREE**  
NSF/ANSI/CAN 61



**Codes & Standards**

- California Energy Commission (CEC)
- Department of Energy (DOE)
- ASME A112.18.1/CSA B125.1
- NSF/ANSI/CAN 61
- ADA Compliance
- NSF/ANSI 372
- MASS